

20' Standard Container: ISO Type Code 22 G0 (22 G1)

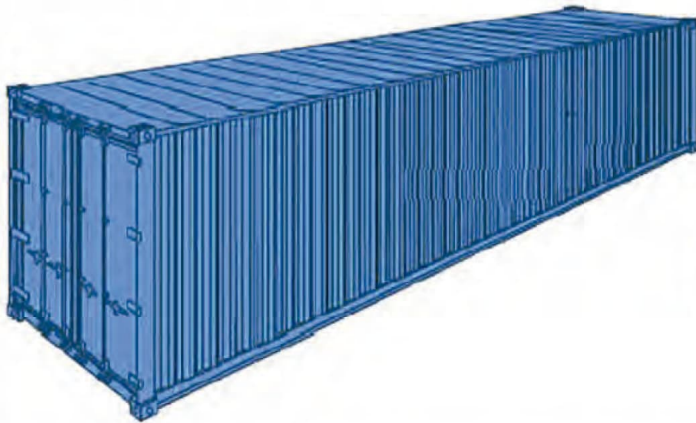


	Length	Width	Height
Interior Dimensions:	19' 5"	7' 8"	7' 9 1/2"
Door Opening:		7' 6"	7' 5 1/2"

	Cubic Feet	Cubic Meter
Cubic Capacity:	1,165	33.0

	Lbs	Kgs
Tare Weight:	4,189	1,900
*Payload:	48,721	22,100

40' Standard Container: ISO Type Code 42 G0 (42 G1)



	Length	Width	Height
Interior Dimensions:	39' 6 1/2"	7' 8"	7' 9 1/2"
Door Opening:		7' 6"	7' 5 1/2"

	Cubic Feet	Cubic Meter
Cubic Capacity:	2,377	67.3

	Lbs	Kgs
Tare Weight:	6,799	3,084
*Payload:	60,401	27,397

40' Standard High Cube Container: ISO Type Code 45 G0 (45 G1)



	Length	Width	Height
Interior Dimensions:	39' 6 1/2"	7' 8 1/4"	8' 9 1/2"
Door Opening:		7' 8"	8' 5 3/4"

	Cubic Feet	Cubic Meter
Cubic Capacity:	2,684	76.0

	Lbs	Kgs
Tare Weight:	6,393	2,900
*Payload:	65,256	29,600

*Payload weight exceeds DOT over the road legal limits in the USA and Canada. Recommended maximum payload for the USA and Canada is 33,000 lbs per 20' and 44,000 per 40'.

Containers tables are to be used as a guideline only. Dimensions of containers may vary from carrier to carrier.

45' Standard High Cube Container: ISO Type Code L5GP (L5G1)



	Length	Width	Height
Interior Dimensions:	44' 6 1/2"	7' 8 1/4"	8' 10"
Door Opening:		7' 8"	8' 5 3/4"

	Cubic Feet	Cubic Meter
Cubic Capacity:	3,026	85.7

	Lbs	Kgs
Tare Weight:	9,061	4,110
*Payload:	62,589	28,390

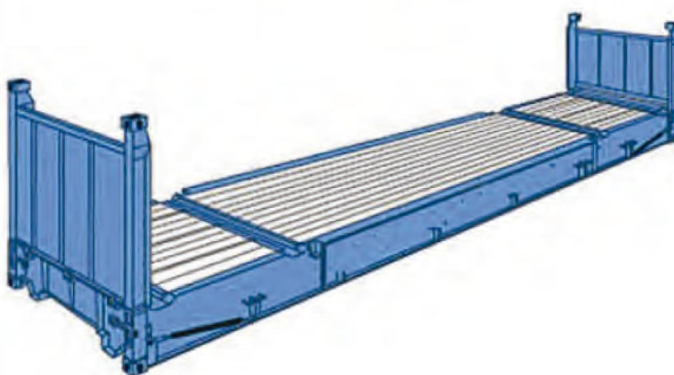
20' Flat Rack: ISO Type Code 22PC (22P8)



	Length	Width	Height
Interior Dimensions:	18' 8 1/2"	8'	7' 7 1/2"

	Lbs	Kgs
Tare Weight:	5,137	2,330
*Payload:	47,773	21,670

40' Flat Rack: ISO Type Code 45PC (45P8)



	Length	Width	Height
Interior Dimensions:	38' 9 1/4"	7' 6"	6' 10 1/2"

	Lbs	Kgs
Tare Weight:	11,596	5,260
*Payload:	55,600	25,220

*Payload weight exceeds DOT over the road legal limits in the USA and Canada. Recommended maximum payload for the USA and Canada is 33,000 lbs per 20' and 44,000 per 40'.

Containers tables are to be used as a guideline only. Dimensions of containers may vary from carrier to carrier.

20' Open Top Container: ISO Type Code 22 UT (22 U1)

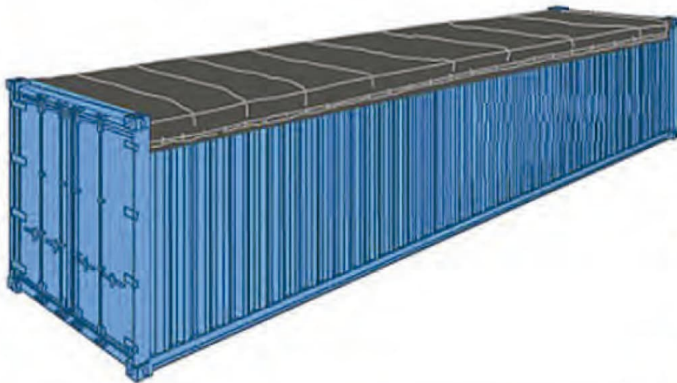


	Length	Width	Height
Interior Dimensions:	19' 5"	7' 8"	7' 6"
Door Opening		7' 6"	7' 4"

	Cubic Feet	Cubic Meter
Cubic Capacity	1,116	31.6

	Lbs	Kgs
Tare Weight:	4,793	2,174
*Payload:	48,117	21,826

40' Open Top Container: ISO Type Code 42 UT (42 U1)

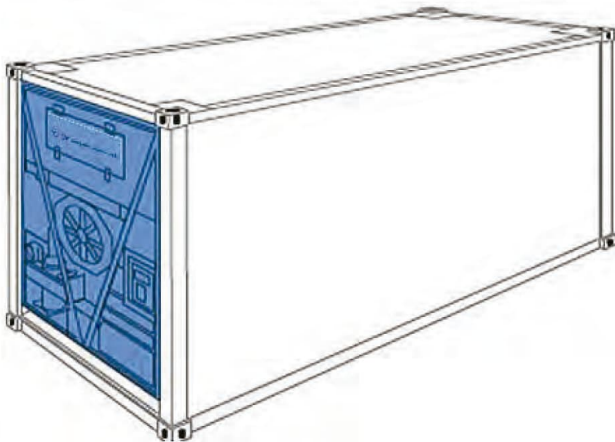


	Length	Width	Height
Interior Dimensions:	39' 6"	7' 8"	7' 5 1/4"
Door Opening		7' 5"	7' 5"

	Cubic Feet	Cubic Meter
Cubic Capacity	2,260	64

	Lbs	Kgs
Tare Weight:	9,480	4,300
*Payload:	57,720	26,182

20' Reefer Container: ISO Type Code 22 RT (22 R1)



	Length	Width	Height
Interior Dimensions:	18' 1 7/8"	7' 5 7/8"	7' 3 1/2"
Door Opening		7' 6"	7' 5"

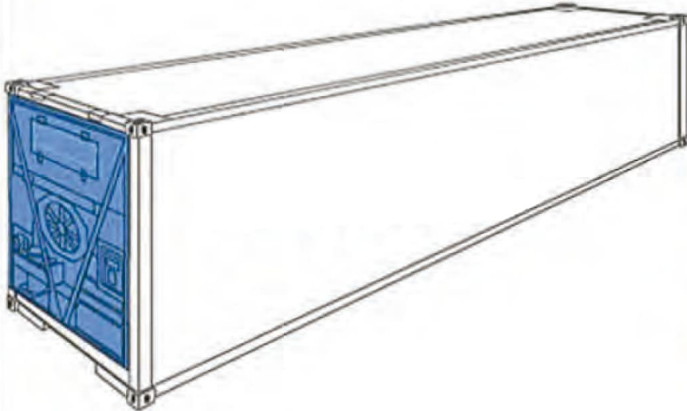
	Cubic Feet	Cubic Meter
Cubic Capacity	1,014	28.7

	Lbs	Kgs
Tare Weight:	6,490	2,944
*Payload:	48,117	21,826

*Payload weight exceeds DOT over the road legal limits in the USA and Canada. Recommended maximum payload for the USA and Canada is 33,000 lbs per 20' and 44,000 per 40'.

Containers tables are to be used as a guideline only. Dimensions of containers may vary from carrier to carrier.

40' Reefer Container: ISO Type Code 42RT (42R1)

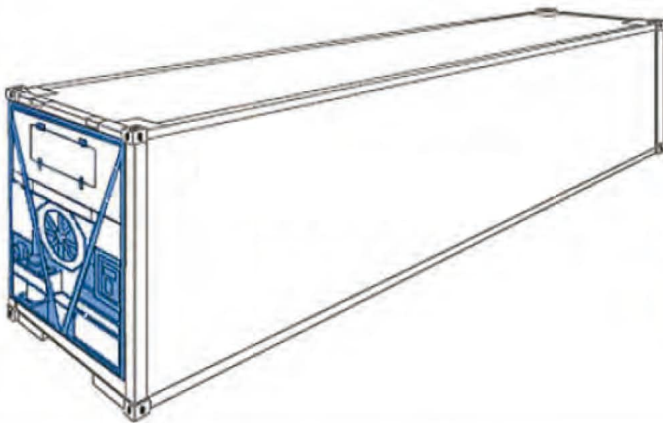


	Length	Width	Height
Interior Dimensions:	36' 9"	7' 4"	7' 2"
Door Opening		7' 3"	7' 2"

	Cubic Feet	Cubic Meter
Cubic Capacity	1,940	54.9

	Lbs	Kgs
Tare Weight:	10,141	4,560
*Payload:	57,059	25,882

40' High Cube Container: ISO Type Code 45RT (45 R1)



	Length	Width	Height
Interior Dimensions:	37' 11"	7' 6"	8' 2"
Door Opening		7' 6"	8' 1/2"

	Cubic Feet	Cubic Meter
Cubic Capacity	2,324	65.8

	Lbs	Kgs
Tare Weight:	9,524	4,320
*Payload:	62,126	28,180

*Payload weight exceeds DOT over the road legal limits in the USA and Canada. Recommended maximum payload for the USA and Canada is 33,000 lbs per 20' and 44,000 per 40'.

Containers tables are to be used as a guideline only. Dimensions of containers may vary from carrier to carrier.